

Directed Work N° 01

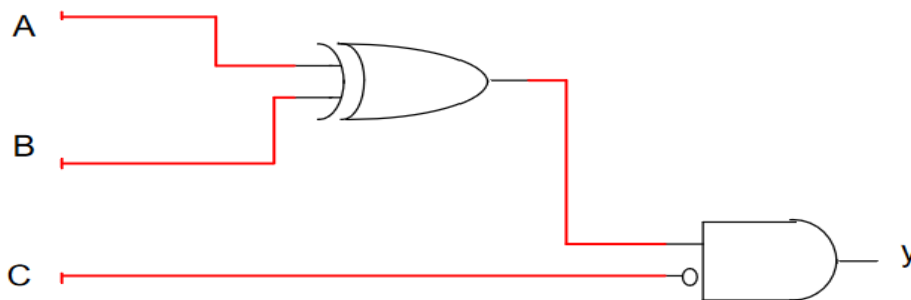
Exercice1:

Complete the conversion table:

Decimal	Binary	Octal	Hexadecimal
507			
	101000100		
			E1D
		743	

Exercice2:

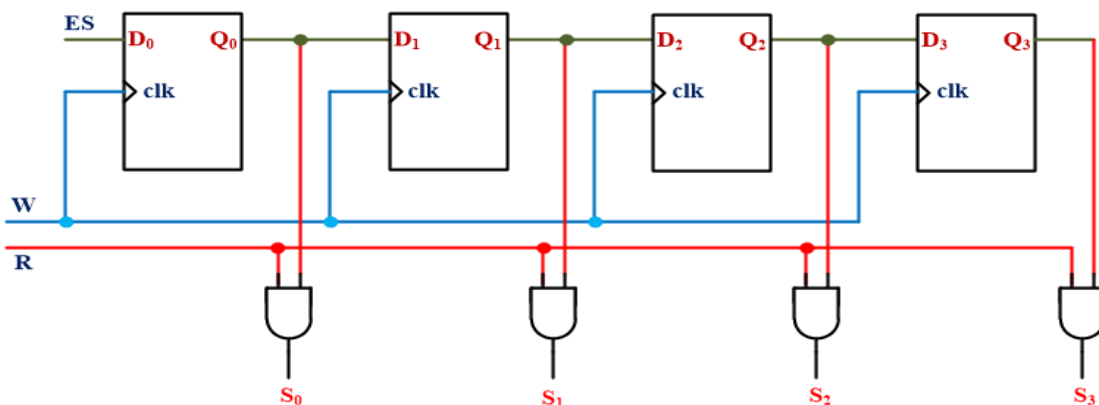
1. Show the truth table for the following logic circuit



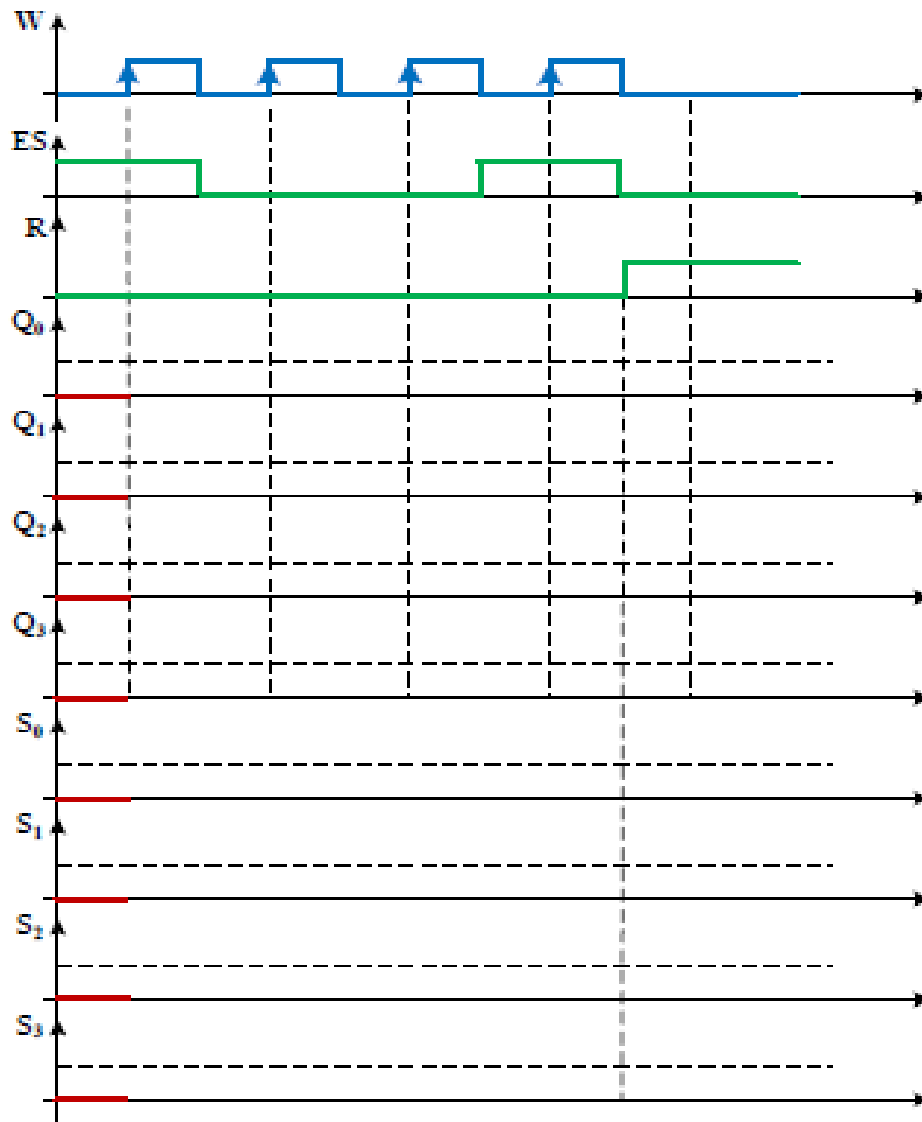
2. Write the Boolean equation for this circuit

Exercice 3:

Let consider the register given by the circuit below:



1. Specify the type of this register.
2. Complete the following timing diagram:



Exercise 4:

- 1- What are the characteristics of a register?
- 2- Indicate the different types of registers.
- 3- What is the main function of a PIPO register? What is it characterized by?
- 4- Consider a right shift register 4 bits type SISO whose initial content is 0000. What becomes its content after 6 clock pulses if it receives on its serial input the binary word 10101101?
- 5- Repeat the previous question for a left shift register.