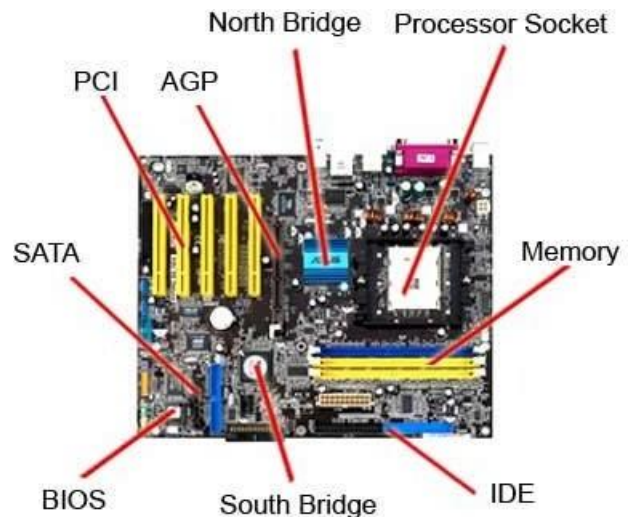
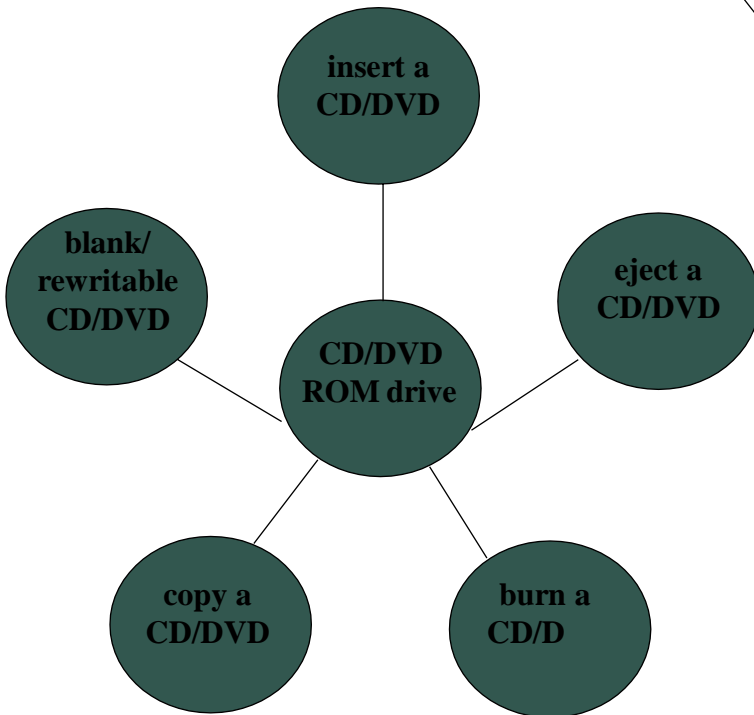
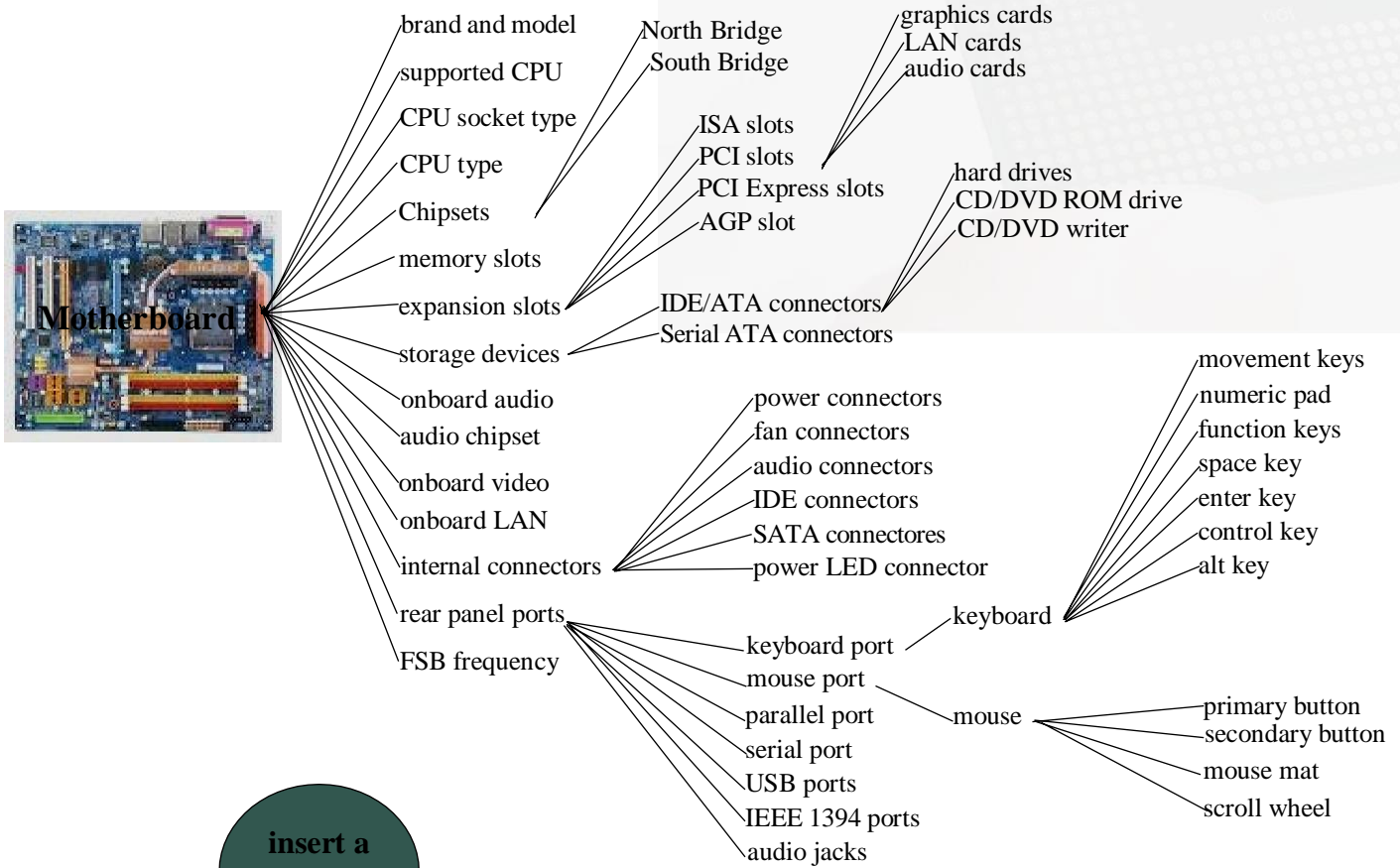




EXTENSIVE HARDWARE VOCABULARY

There are different ways to organise your vocabulary. Diagrams and pictures make it easier to organise and memorise words. Take a look at the different ways to organise vocabulary.



VERBS RELATED TO HARDWARE

Take a look at all these verbs. They are related to hardware. They can be used with different hardware components and pieces. Read about them and do the exercises.

ADD

You may add memory to your computer if the memory in your computer is very limited.

ASSEMBLE DISASSEMBLE

You may assemble or disassemble a computer or a device.

ATTACH

You may attach a cable to a connector.

CONNECT DISCONNECT

You may connect or disconnect any cable or device *to* or *from* your computer.

FIT

For a processor to fit a processor socket or for an expansion card to fit an expansion slot they must be the appropriate size and shape.

HANDLE

You may handle a machine such as a computer or a vehicle. Handle is a synonym of manipulate.

INSERT REMOVE

You may insert or remove a memory module, e.g. a DDR2 memory module, into a memory slot.

You say insert *to* and remove *from*

INSTALL UNINSTALL

You may install or uninstall a peripheral, an expansion card, or any hardware component.

MOUNT

You may mount a motherboard or a DVD drive by fixing it to the tower case of a computer.

OVERHEAT

A processor may overheat if you the fan doesn't work properly.

PLACE

You may place a component in a particular position. For example, you may place a processor on the processor socket in order to insert it.

PLUG UNPLUG

You may plug a power cord or a cable *into* a socket or a connector. Or you may unplug a power cord or a cable *from* a socket or connector.

PRESS

You may press a key on your keyboard, or you may press a button, e.g. the power button of your computer.

PUSH PULL

You may push a memory module until it fits into a memory slot. Or you may pull a memory module or an expansion card in order to remove it.

REPLACE

You may replace a old or broken hardware component *by* a new one.

SCREW UNSCREW

You may screw or unscrew screws using a screwdriver.

SUPPORT

A motherboard may support a specific type of processor, or expansion card.

TURN ON TURN OFF

You may turn on or turn off your PC to make it start or stop working. It means the same as **switch on/ switch off.**

UPGRADE

You may upgrade an old computer, hardware component, or application *to* a new one. Upgrade is also a noun, i.e. a new version of something.

VERIFY

You may verify that a cable is connected, or you may just verify that everything is right.

